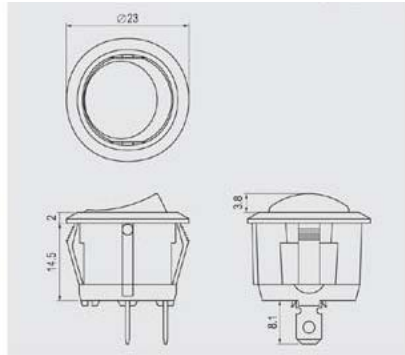
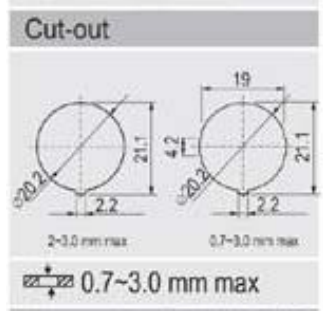


## Interruptor Serie I12

## Switch I12 Series



<b>Rating</b>
16A 125V AC 10A 250V AC
<b>Contact resistance</b>
50mΩ Max
<b>Insulation resistance</b>
DC 500V 100MΩ Min
<b>Dielectric strength</b>
AC 1500V 1 minute

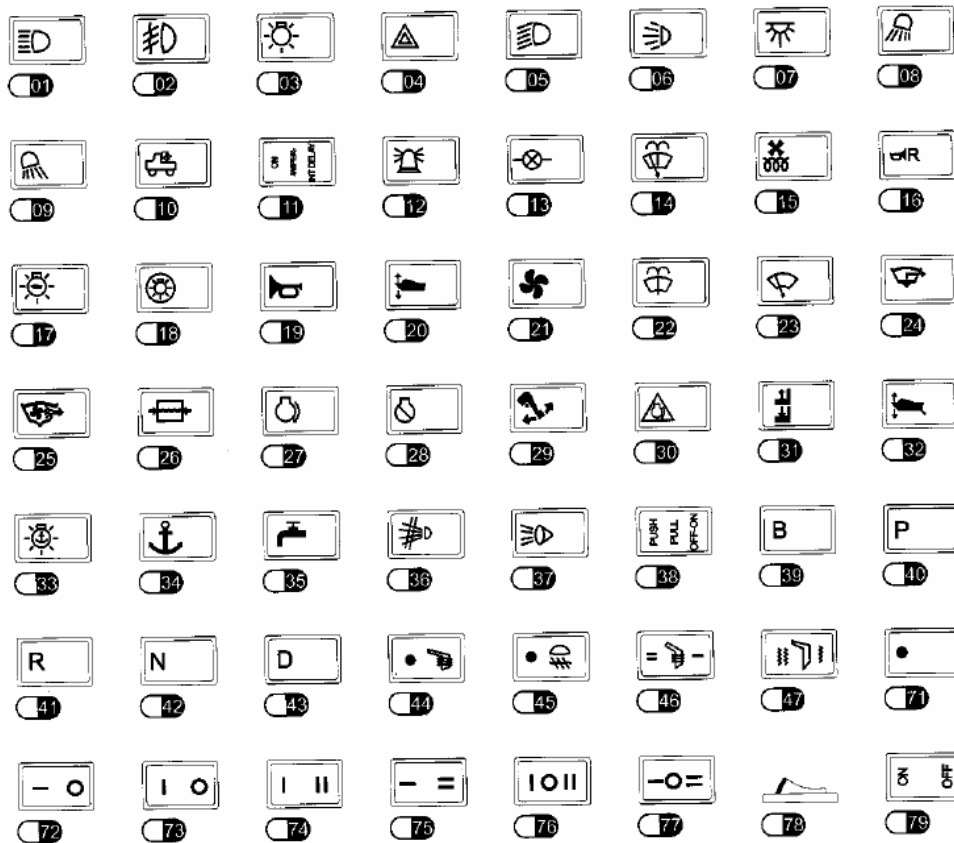


### FEATURES

- \* MATERIAL: Frames are nylon (UL flame: 94V-2). Terminals are silver plated brass.
- \* Illuminated actuators are molded in PC, available with red, amber and green colors.
- \* Snap-in mounting, easy to install switch into panel.
- \* Waterproof cover is optional, except LP & BP type.



## Available Printed symbols



# I12

I12      ↓      **Function**      ↓      **Power Supply**      ↓      **Body Colour**      ↓      **Lens colour**      ↓      **Symbol**

FUNCTION	
<b>A</b>  ON OFF 2P SPST	<b>B 2 F</b>  (ON) OFF 3P SPST (ILLUMINATED) 125V AC 33KΩ / 250V AC 150KΩ
<b>A 2</b>  ON OFF 2P SPST	<b>B 8 W</b>  ON OFF 3P SPST (ILLUMINATED) 125V AC 33KΩ / 250V AC 150KΩ
<b>A 5</b>  ON OFF 2P SPST (Gloss Finish)	<b>B 9</b>  ON OFF 3P SPST (W/O Lens) (LED) LED Rating @10MA V <sub>f</sub> =1.85V
<b>A 8</b>  ON OFF 2P SPST	<b>B 9 F</b>  (ON) OFF 3P SPST (LED) LED Rating @10MA V <sub>f</sub> =1.85V
<b>B</b>  ON OFF 3P SPST (ILLUMINATED) 125V AC 33KΩ / 250V AC 150KΩ	<b>C</b>  ON ON 3P SPDT
<b>B F</b>  (ON) OFF 3P SPST (ILLUMINATED) 125V AC 33KΩ / 250V AC 150KΩ	<b>C 8</b>  ON ON 3P SPDT
<b>B P</b>  ON OFF 3P SPST (ILLUMINATED) 125V AC 33KΩ / 250V AC 150KΩ	<b>D</b>  ON OFF ON 3P OFF SPDT
<b>B 2</b>  ON OFF 3P SPST (W/Lens) (ILLUMINATED) 125V AC 33KΩ / 250V AC 150KΩ	<b>E</b>  ON OFF 2P SPST (OFF)
	<b>L P</b>  ON OFF 4P SPST (LED) LED Rating @10MA V <sub>f</sub> =1.85V
	<b>L F</b>  (ON) OFF 4P SPST (LED) LED Rating @10MA V <sub>f</sub> =1.85V
	<b>L P</b>  ON OFF 4P SPST (LED) LED Rating @10MA V <sub>f</sub> =1.85V

\* ( ) =momentary

