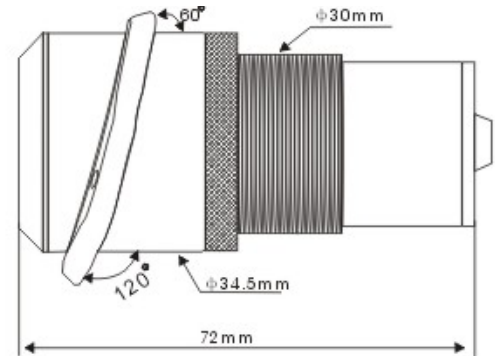
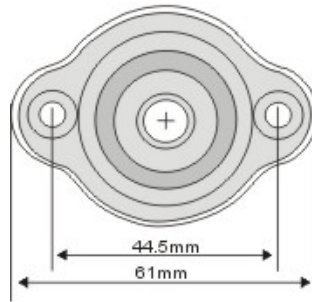


Exterior Camera CC1025 Color



Exquisite design and workmanship, precise circuit & structure. Aluminium alloy structure, All-sealed water-proof body. View-angle cable adjustable. Excellent Shock-proof capability, designed especially for car/vehicle rear view surveillance.

ITEMS	CC1025 Mirror Image	CC1025/1 Normal Image
Scanning System	NTSC:525 Lines.60 Field/Sec ; PAL: 625 Lines 50 Field/Sec	
Pick-up Device	1/3" CCD image sensor	
Synchronization	Internal	
Horizontal Resolution	420 TV Lines	
Minimum Illumination	0,5 Lux	
Back Light Compensation	AUTO	
Electronic Shutter	EIA: 1/60 ~ 1/100,000 sec. - CCIR: 1/50 ~ 1/100,000 sec.	
Gain Control	AUTO	
Lens	2.97 mm	
View Angle	120°	
Gamma Correction	0.45	
S/N Ratio	More than 48 dB (AGC off)	
Video Output	1 Vp-p, 75 Ohms	
Power Supply	12VDC	
Housing / Weight	Aluminium, (Black Color) / 135 gr.	
Storage / Operating Temp.	-20°C ~ +60°C / -10°C ~ +50°C	