



AudioBus



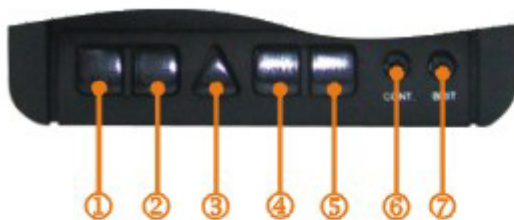
4.5" B/W CAR REAR VIEW SYSTEM MONITOR



Display Device: 4.5" CRT
 Deflection Angle: 90°
 Input Voltage: 11~32V (DC)
 Output Voltage: 10.2V ± 0.2V (DC)
 Power Consumption: ≤ 11W
 Video Input: 1.0Vp-p ± 20%
 Video Output: 1.0Vp-p ± 20%
 Operating Temperature: -20°C ~ +60°C
 Horizontal Resolution: 600 TV Lines
 Field Resolution: 400 TV Lines
 Horizontal / Vertical Sync Resolution: CCIR, 15.625kHz (H) / 50 (V)
 EIA, 15.734kHz(H) / 60Hz(V)



Anti-vibration Capability: 8G
 Camera Port: DIN Socket
 A/V Port: RCA Socket
 Dimensions: 160mm(L)*127mm(W)*117mm(H) without bracket
 Weight: 3.2kg



Control Panel Display:

1. Power/Stand-by switch
2. VCD/Camera switch
3. Day/Night Lightness switch
4. Camera1
5. Camera2
6. Contrast adjustment
7. Brightness adjustment



Port Connection Display:

1. Video signal input
2. Power input
3. Video signal output
4. Camera 1 input
5. Camera 2 input
6. Positive/Mirror image switch



☎: + 34 976 596900

• Fax: + 34 976 595731

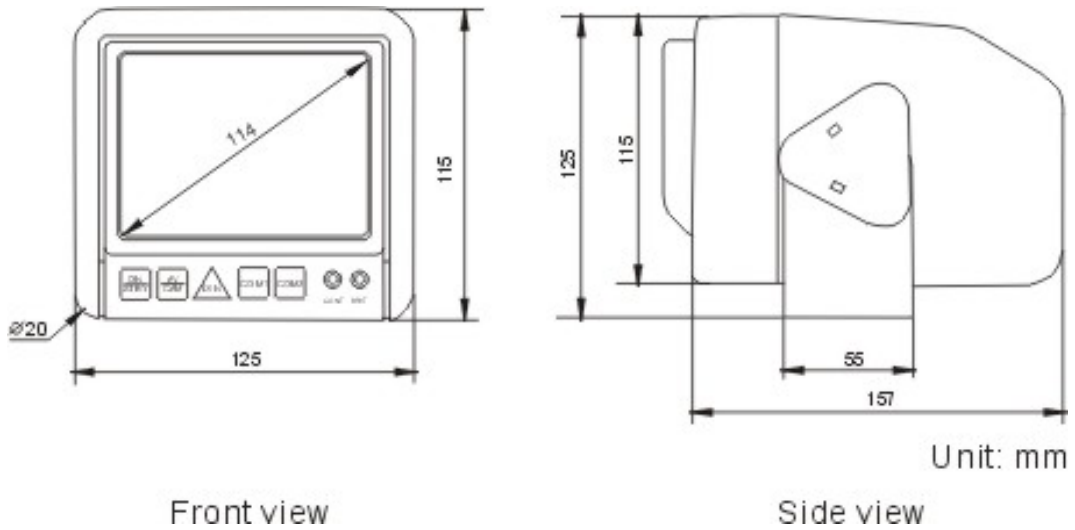
• Mail: audiobus@audiobus.com

• <http://www.audiobus.com>



4.5" B/W CAR REAR VIEW SYSTEM MONITOR

» Dimensions :



» Product Accessories

