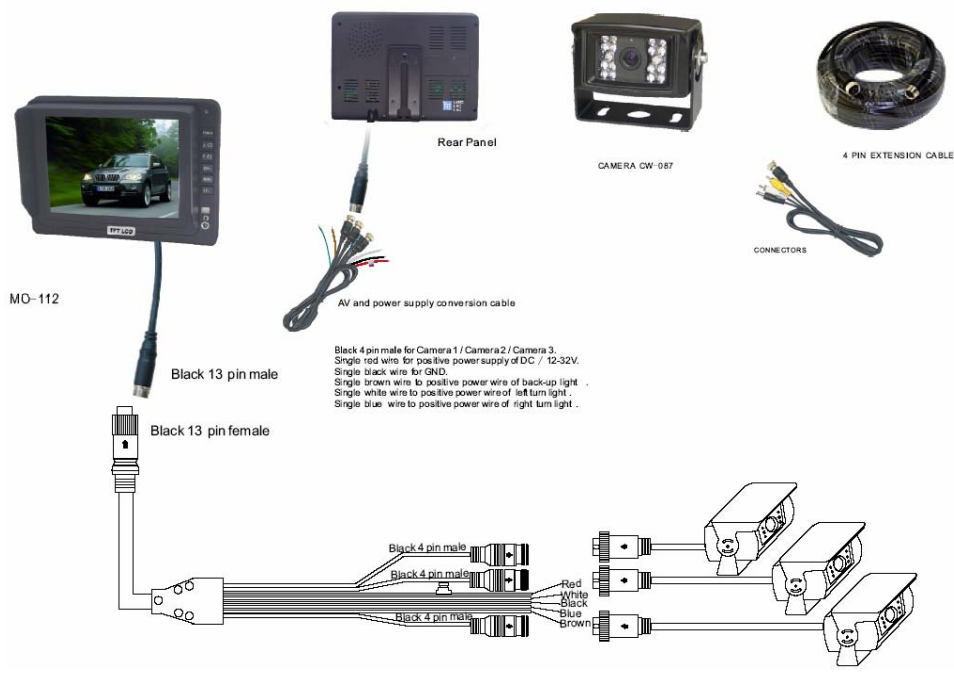
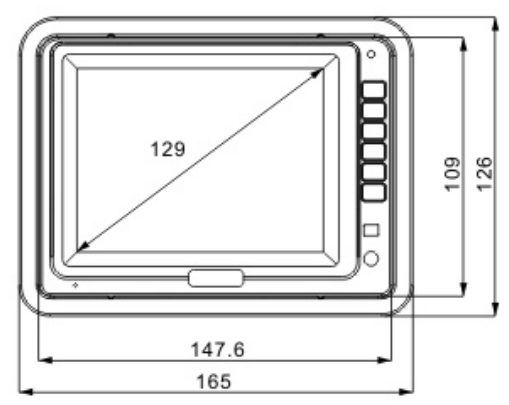


M0541224TFT - 5" TFT LCD Monitor DC 12/24 V.



Display component: 5" TFT-LCD monitor
 Audio output: 1W
 Loudspeaker: one 4.0cm round loudspeaker
 Power supply: DC 12/24V),
 Power consumption: about 8W
 Dot pitch: 0.107(H) x 0.319(V)
 Resolution : 320 x 3 (RGB) x 234
 Contrast: 150:1
 Brightness:300cd/m²
 Viewing angle: U: 15 / D: 35, R/L: 54
 Operating temperature: -20~+70°C, RH90%

- TFT LCD monitor with wide view angle and high resolution display.
- Multi-languages of display available: English, Japanese, French, Portuguese, Spanish, Russian, Turkish, German, Italian, Bulgarian, Arabic
- Automatic front panel LED activation at night convenient for the users
- Mirror and Unmirror switch available
- Multiple video formats available: PAL /AUTO/N443/N358.
- Operates from 12~32V. Support 12V or 24V automobile battery.
- Three cameras can be connected to the monitor
- Picture image may be adjusted for Horizontal, Vertical, Mirror and Normal viewing.
- Automatically switches to back-up, left or right side camera views.



Black 4 pin male for Camera 1 / Camera 2 / Camera 3.
 Single red wire for positive power supply of DC / 12-32V.
 Single black wire for GND.
 Single brown wire to positive power wire of back-up light .
 Single white wire to positive power wire of left turn light .
 Single blue wire to positive power wire of right turn light .

