



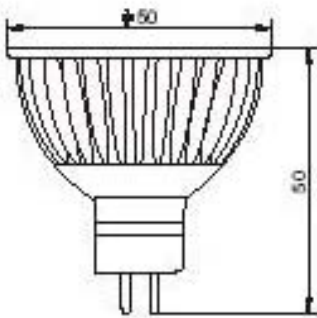
AudioBus



LL01/XX01A0 Dichroic Reflector POWER LED 1x1W.
LL03/XX01A0 Dichroic Reflector POWER LED 1x3W.



Bulb Type: MR16 (Ø 50 mm.)
 1x1 W. or 1x3 W. Power LED
 Base Type: 2 pin GX5.3
 Colour: White (Red, Yellow, Green or Blue on demand)
 Input Voltage: AC/DC 12 V.
 Aluminium Housing
 NO UV or IR radiation



Comparativa LUX

Lámpara MR16	Wattios	Voltios	Amperios	lux a 0,7mts.	lux a 1mts.	Lux a 1,5mts.
Halógena	10w	12v	0,82	857	376	128
Halógena	20w	12v	1,61	1382	758	248
Power Led	1Led x 1w	12v	0,21	416	189	80
Power Led	1Led x 3w	12v	0,47	685	315	134

